



DUTCH POWER INDUSTRIES

's-Gravenweg 318f (Business Parc IJsselpoint)
 2911 BK Nieuwerkerk aan den IJssel
 +31(0)180 322 255
 upssales@pkb-technics.nl

Dutch Power Industries is a registered brand name of PKB-Technics BV

RM Series In-built Battery Modular Online UPS 20-60kVA (380V/400V/415V)

RM060/20B series are modular online UPS with hot-swappable battery. The single cabinet power rating covers from 20kVA to 60kVA which delivers the best of combination of reliability, hot-swappable and flexibility.

With intelligent battery protection and management technology, RM060/20B realises a compact total power solution which is easy for installation, maintenance and power expansion.

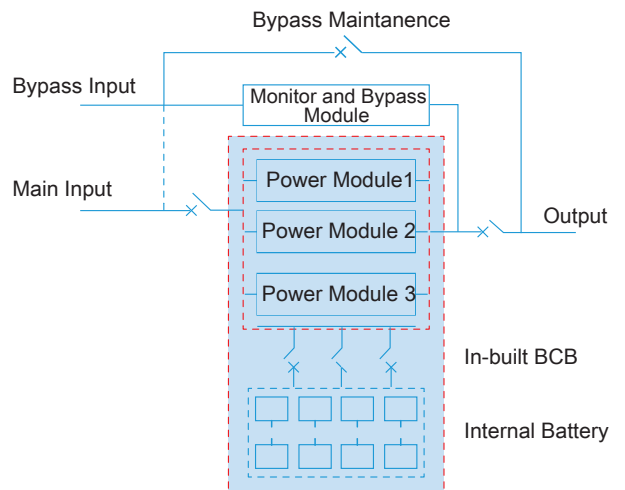


Features

- Modular design with swappable battery package
- Monitor system for battery
- Integrated IGBT module with improved performance and reduced size
- Easy for installation and maintenance
- Easy for power expansion and backup time expansion
- Intelligent protection technology for safe and reliable hot swappable battery package of the system
- Smart charging management system, Intelligently control the whole process of the charging and discharging, effectively improving the life time of the battery
- Battery cold start
- Friendly human machine interface with touch screen



10pcs 7 or 9 Ah batteries





Specification

MODEL		RM060/20B	
System Capacity		60kVA	
Power Module Capacity		20kVA/18kW	
Input	Dual Input	Optional	
	Phase	3 Phase+Neutral+Ground, 380V/400V/415V(line-line)	
	Input Voltage Range	304~478Vac (line-line),full load; 228V~304Vac (line-line),load decreases linearly according to the min phase voltage	
	Rate Frequency	50/60Hz	
	Input Frequency Range	40Hz ~ 70Hz	
	Input PF	>0.99	
	Input THDi	<3% (100% Linear load)	
Bypass	Rate Voltage	380/400/415VAC (line-line)	
	Rate Frequency	50/60Hz	
	Input Voltage Range	Settable, -40% ~ +25%	
	Bypass Frequency Range	Settable, ± 1 Hz, ± 3 Hz, ± 5 Hz	
	Bypass Overload	125% long term operation; 130% for 1 hour ;150% for 6 mins; 1000% for 100ms	
Output	Rate Voltage	380/400/415VAC (line-line)	
	Voltage Regulation	1% for balance load; 1.5% for unbalance load	
	Rate Frequency	50/60Hz	
	Frequency Precision	0.1%	
	Output PF	0.9	
	Output THDu	<1% , Linear load; <5.5%, Non-linear load	
	Crest Factor	3:1	
	Inverter Overload	110% for 1 hour; 125% for 10 mins ;150% for 1 min; >150% for 200 ms	
Battery	Voltage	± 240 VDC	
	Battery Number	40pcs (Settable: even number from 32 to 44)	
	Voltage Precision	± 1 %	
	Charge Power	up to 20% * Output active power	
	Battery Cold Start	Standard	
System	Efficiency	AC Mode	95.0%
		ECO Mode	99.0%
		Battery Mode	95.0%
	Display	5.7" touch screen LCD + LED + keyboard	
	IP Class	IP 20	
	Interface	RS232,RS485, Programmable Dry Contact	
	Option	SNMP Card, Parallel kit, SPD, LBS, Dust filter	
	Temperature	Operation: 0 ~ 40 °C Storage: -40 ~ 70 °C	
	Relative Humidity	0 ~ 95% Non-condensing	
	Altitude	<1000m. Within 1000m to 2000m, power derate 1% for every 100m rise	
	Noise (1 meter)	55dB @ 50% load	
	Applicable Standards	Safety: IEC/EN 62040-1-1 EMC: IEC/EN 62040-2 Performance: IEC/EN 62040-3	
	Physical	Weight (kg)	Cabinet: 205kg Power module: 22kg Battery package: 10kg (without battery)
Dimension W*D*H(mm)		Cabinet	600*1020*2000
		Power module	440*590*134
		Battery package	120*824*177